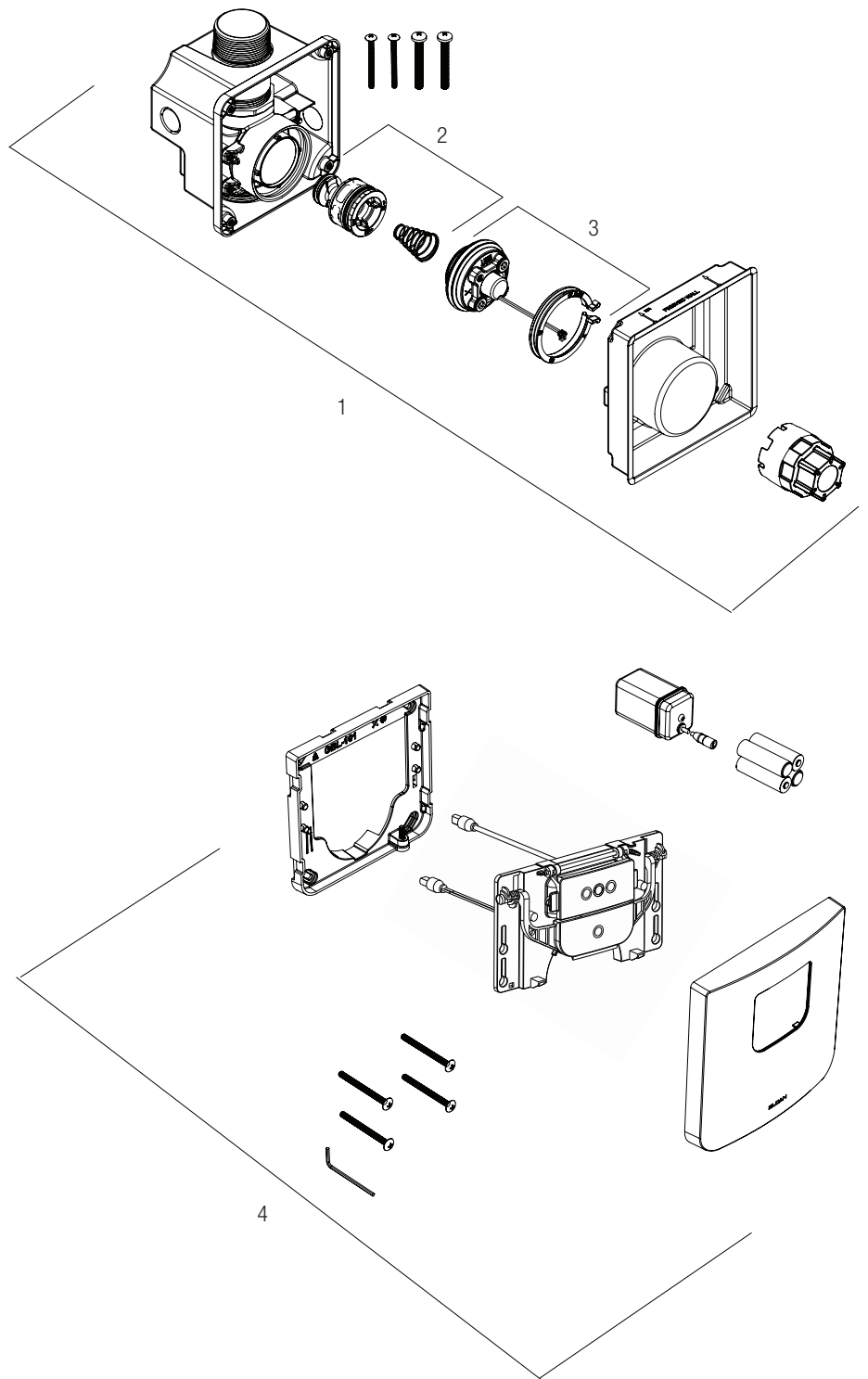


## TruFlush Hardwired/Battery Flushometers

Item No.	Part No.	Description
1	See Table	Valve Assembly Less Plate
2	See Table	Piston Assembly
3	See Table	Activation Assembly
4	34001003	Dual Flush Wall Plate Assembly



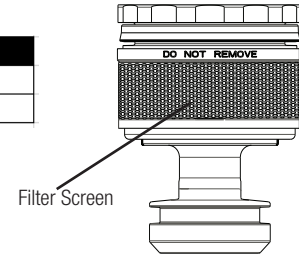
## TruFlush Hardwired/Battery Flushometers

### VALVE ASSEMBLY SELECTION GUIDE

FLUSH VOL.	Item	MMN	PART NO.	MMN Description
6/3 Lpf	40MM	34001003	TRF 8036	TRF8036 Elect. Dual Flush 6/3LPF Valve
	32MM	34001012	TRF 8036-N	TRF8036-N Elect. DF 6/3LPF Valve
4-4.5/2-2.5 Lpf	40MM	34001015	TRF 8024	TRF8024 HI EFFI (4 -4.5/2 -2.5 LPF)
	32MM	34001011	TRF 8024-N	TRF8024-N HI EFFI (4 -4.5/2 -2.5 LPF)

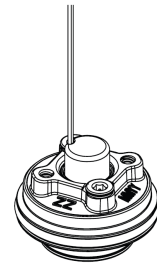
### PISTON PARTS LIST SELECTION GUIDE

FLUSH VOL.	Item	MMN	MMN Description
6/3 Lpf	Piston	33400083	GBL1103A REP KIT 6/3 LPF DF PISTON
4-4.5/2-2.5 Lpf	Piston	33400077IN	GBL1090A REP KIT 1.1 GPF PISTON SEN



### ACTIVATION ASSEMBLY SELECTION GUIDE

FLUSH VOL.	Item	MMN	MMN Description
6/3 Lpf	Activation assembly	33400084	GBL1104A KIT ELE ACT ASM 6/3LPF DF NEW PLUG
4-4.5/2-2.5 Lpf	Activation assembly	33400084	GBL KIT ELE ACT ASM 6/3LPF DF NEW PLUG



### ASPIRATOR ASSEMBLY SELECTION GUIDE

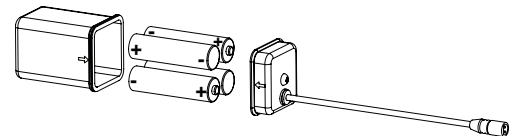
FLUSH VOL.	Item	MMN	MMN Description
6/3 Lpf	Aspirators	33400085	GBL1099A ASP REP KIT 6/3 LPF DF (6 PACK)
4-4.5/2-2.5 Lpf	Aspirators	33400073IN	GBL1095A ASP REP KIT 1.1GPF (6 PACK)

## 1. BATTERY REPLACEMENT

When required, replace batteries with four (4) Alkaline AA-Size Batteries.

**NOTE: WATER DOES NOT HAVE TO BE TURNED OFF TO REPLACE BATTERIES. USE ALKALINE BATTERIES FOR PROPER UNIT OPERATION.**

- A. Remove Wall Plate
- B. Disconnect solenoid from pcb assembly. Pull on end connector to prevent damage to wires.
- C. Slide pcb Assembly all the way up and remove from wall bracket
- D. Disconnect power from pcb Assembly
- E. Remove battery box from inside the Wall Box
- F. Remove the battery box cover by loosening screw using a Philips head screwdriver.
- G. Replace the batteries with 4 new AA Alkaline batteries as shown.
- H. Reinstall the Battery cover and using a screwdriver tighten the screw until the battery cover is tightly secure.
- I. Follow section 3,4,5 and 7 of this installation guide to complete installation.



## TruFlush Hardwired/Battery Flushometers

### 2. PISTON REPLACEMENT

- A. Tighten the retaining screw at the bottom right using Allen key
- B. Slide up wall plate
- C. Pull -out wall plate
- D. Disconnect Flushometer solenoid connector from the pcb Assembly. Pull on end connector to prevent damage to wires.
- E. Lift-up the pcb Assembly Override Button to access the activation assembly.
- F. Place the adjustment tool on the activation assembly and using a screwdriver or wrench to turn the assembly fully **CLOCKWISE** to make sure the valve is closed.
- G. Remove the tool, reconnect the pcb assembly to the solenoid and then press the Override Button to relieve pressure.
- H. Disconnect Flushometer solenoid connector from the pcb Assembly (pull on end connector to prevent damage to wires), lift button up and push-in the activation assembly until fully seated.
- I. Remove the orange safety ring by squeezing the pins together and pulling it out. **NOTE. ATTACH SCREWS (INCLUDED) TO THREADED HOLES ON ACTIVATION ASSEMBLY**
- J. Use attached screws to pull the activation assembly directly out, you may feel some tension. Be sure to pull directly out. **Do not turn the assembly to avoid turning the water flow back-on. Do not remove or adjust solenoid.**
- K. Remove the conical spring. **Do not** discard.
- L. Remove the piston by pulling it straight out and discard. If unable to grip piston, remove screw from the front of activation assembly and screw into center hole of piston.
- M. Install a new piston. Insert the smaller end first and press until fully seated.
- N. Reinstall the conical spring inserting the smaller end into the new piston assembly.
- O. Carefully re-install the Activation Assembly and press until fully seated.
- P. Re-install the orange safety ring securely. Safety ring will spin freely in valve body when properly installed.
- Q. Use the adjustment tool to slowly turn the Activation Assembly **COUNTERCLOCKWISE** to open the water flow.
- R. Insert Flushometer Solenoid connector to the pcb Assembly.
- S. Activate Flushometer by pressing the Override Button.
- T. Adjust water flow as needed (See Section 4).
- U. Put down the pcb Assembly Override Button.
- V. Install Wall Plate.

### 3. ACTIVATION ASSEMBLY REPLACEMENT

- A. Tighten the retaining screw at the bottom right using Allen key.
- B. Slide up wall plate.
- C. Pull-out wall plate.
- D. Disconnect Flushometer solenoid connector from the pcb Assembly. Pull on end connector to prevent damage to wires.
- E. Lift-up the pcb Assembly Override Button to access the activation assembly.
- F. Place the adjustment tool on the Activation Assembly and using a screwdriver, turn the assembly fully **CLOCKWISE** to make sure the valve is closed.
- G. Remove the tool, reconnect the pcb assembly to the solenoid and then press the Override Button to relieve pressure.
- H. Disconnect Flushometer solenoid connector from the pcb Assembly (pull on end connector to prevent damage to wires), lift button up and push-in the activation assembly until fully seated.
- I. Remove the orange safety ring by squeezing the pins together and pulling it out. **NOTE. ATTACH SCREWS (INCLUDED) TO THREADED HOLES ON ACTIVATION ASSEMBLY**
- J. Use attached screws to pull the activation assembly directly out, you may feel some tension. Be sure to pull directly out. **Do not turn the assembly to avoid turning the water flow back-on.**
- K. Install new Activation Assembly and press until fully seated.
- L. Re-install the orange safety ring securely. Safety ring will spin freely in valve body when properly installed.
- M. Use the adjustment tool to slowly turn the activation assembly **COUNTERCLOCKWISE** to open the water flow.
- N. Insert Flushometer Solenoid connector to the pcb Assembly. **Do not remove or adjust solenoid.**

## TruFlush Hardwired/Battery Flushometers

- O. Activate Flushometer by pressing the flush Button.
- P. Adjust water flow as needed (See Section 4).
- Q. Put down the pcb Assembly Override Button.
- R. Install Wall Plate.

### 4. ADJUST WATER FLOW

- A. Disconnect Flushometer Solenoid connector from the pcb Assembly. Pull on end connector to prevent damage to wires.
- B. Lift the pcb Assembly Override Button up to access the activation assembly.
- C. Open water flow by turning activation assembly slowly COUNTERCLOCKWISE using adjusting tool and a screwdriver or a wrench.

#### !!! NOTE !!!

**MAKE SURE SOLENOID CONNECTOR GOES THROUGH THE CENTER OF THE ADJUSTING TOOL TO AVOID DAMAGE TO THE CABLE.**

- D. Connect Flushometer Solenoid connector to the pcb Assembly.
- E. Activate Flushometer by pressing the Override Button.
- F. Adjust Activation Assembly after each flush until the flow rate delivered properly cleanses the fixture (turn **CLOCKWISE** to lessen flow and **COUNTERCLOCKWISE** to increase flow).

#### !!! NOTE !!!

**MAKE SURE FLUSHOMETER SOLENOID CONNECTOR IS DISCONNECTED FROM pcb ASSEMBLY EVERY TIME BEFORE ROTATING ACTIVATION ASSEMBLY.**

#### !!! NOTE !!!

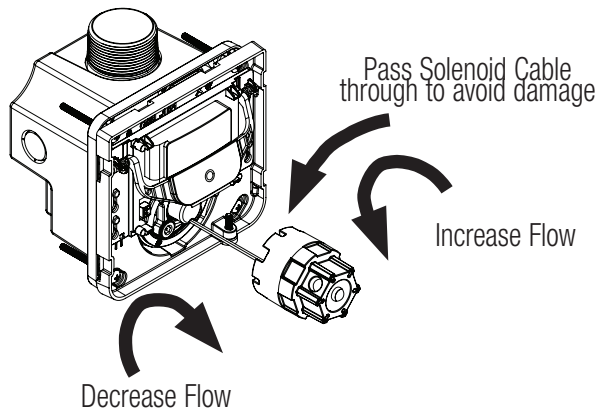
**UNDER NO CIRCUMSTANCES SHOULD THE SOLENOID BE REMOVED OR ADJUSTED.**

#### !!! IMPORTANT !!!

**THE FLUSHOMETER IS ENGINEERED FOR QUIET OPERATION. EXCESSIVE WATER FLOW CREATES NOISE, WHILE TOO LITTLE WATER FLOW MAY NOT SATISFY THE NEEDS OF THE FIXTURE. PROPER ADJUSTMENT IS MADE WHEN PLUMBING FIXTURE IS CLEANSED AFTER EACH FLUSH WITHOUT SPLASHING WATER OUT FROM THE LIP AND A QUIET FLUSHING CYCLE IS ACHIEVED.**

#### !!! IMPORTANT !!!

**THE ACTIVATION ASSEMBLY SHOULD NEVER BE OPENED TO THE POINT WHERE THE FLOW FROM THE VALVE EXCEEDS THE FLOW CAPABILITY OF THE FIXTURE. IN THE EVENT OF A VALVE FAILURE, THE FIXTURE MUST BE ABLE TO ACCOMMODATE A CONTINUOUS FLOW FROM THE VALVE.**



### 5. DEFAULT AND LITE MODE

The pcb assembly comes with Default Mode out of the box which works for almost all site conditions. If the flushometer is dispensing too much water and the Inlet supply pressure is too high i.e higher than 3-4 bar then the programming inside the pcb can be switched from Default mode to Lite Mode for better performance.

**NOTE: HIGH INLET SUPPLY PRESSURES CAN CAUSE SPLASH WATER ISSUES. PLEASE REVIEW THE WATER CLOSET INSTALLTION MANUAL FOR THE OPTIMUM WORKING PRESSURE.**

- A. To switch to lite mode press and hold the half flush button for 20 sec, red led will light up for 1 sec to indicate that the mode has been changed successfully.
- B. To Switch back to default mode press and hold full flush button for 20 sec, red led will light up for 1 sec to indicate that the mode has been changed successfully.

---

## TruFlush Hardwired/Battery Flushometers

---

### TROUBLESHOOTING

#### A. Valve Does Not Flush Even After Adjustment.

- i. Ensure water supply to valve is turned on.
- ii. Activation Assembly sleeve is in closed position. Turn counterclockwise to open water flow.
- iii. Batteries completely used up; replace batteries (See Section 1).
- iv. Problem with activation assembly; replace activation assembly (Section 3).
- v. Problem with pcb Assembly; replace pcb Assembly .

#### B. Valve Does Not Shut off.

- i. Metering bypass hole in piston is clogged. Remove the piston O-ring from groove and wash under running water. Replace piston if cleaning does not correct the problem (See Section 2).
- ii. Supply line water pressure has dropped and is not sufficient to close the valve. Close Activation Assembly until pressure is restored.
- iii. Piston is damaged. Replace with new proper gpf/Lpf piston.

#### C. Too much water to Fixture.

- i. Activation Assembly not adjusted properly. Readjust Activation Assembly (see section 4).
- ii. Piston is damaged. Replace with new proper gpf/Lpf piston
- iii. Wrong TruFlush model installed; i.e., 1.6 gpf. model installed on 1.0 or 1.5 gal. urinal fixture. Replace with proper TruFlush model per guide.
- iv. Switch to LITE Mode (See Section 5).

#### D. Not Enough Water to Fixture.

- i. Activation Assembly not adjusted properly. Readjust Activation Assembly by turning counterclockwise.
- ii. Wrong TruFlush model installed; i.e. 0.5 gpf. urinal installed on 1.6 gal. closet fixture. Replace with proper TruFlush model.
- iii. Water supply pressure is inadequate (low). increase the water supply pressure. Contact the fixture manufacturer for minimum water supply requirements of the fixture.
- iv. Switch to DEFAULT Mode (See Section 5).

#### E. Chattering noise is heard during flush.

- i. Reduce flow pressure by turning Activation Assembly.